

DZ47LE-32, 63, 100 Leakage Release

Application

DZ47LE series leakage release is made up of high conducting magnetic zero sequence current current, electrical board and high resistant casing. The DZ47 miniature circuit breaker and leakage release is assembled to leakage miniature circuit breaker, and the rated current down rating factor 0.8. It is mainly used in AC 50Hz/60Hz, rated voltage of 230V/400V, and rated current up to 100A for leakage protection.

The product meets the standards of GB16917.1 and IEC61009-1.



Model

DZ 47 LE - □ / □ □ □

↓ ↓ ↓ ↓ ↓ ↓ ↓

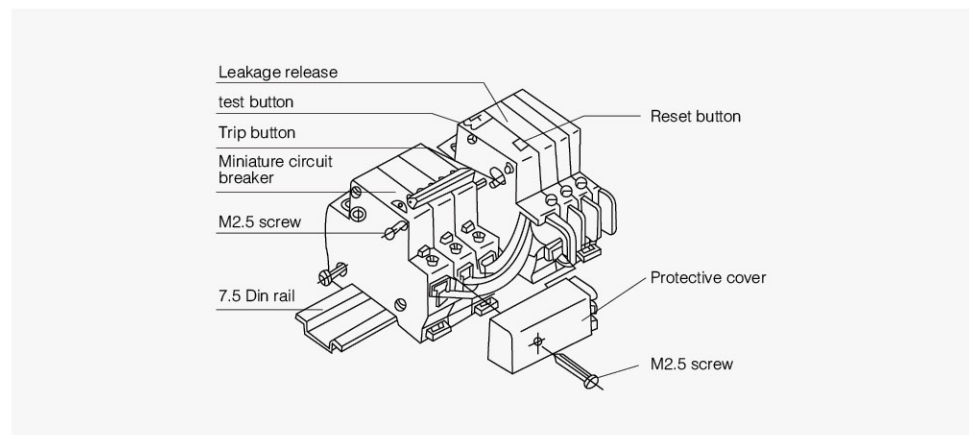
① ② ③ ④ ⑤ ⑥ ⑦

①	Miniature Circuit Breaker
②	Design Number
③	Electronic Type Earth Leakage Circuit Breaker
④	Frame Class Rated Current
⑤	Number of Pole
⑥	Use "N" for with neutral wire
⑦	Rated Residual Current

Main Technical Parameters

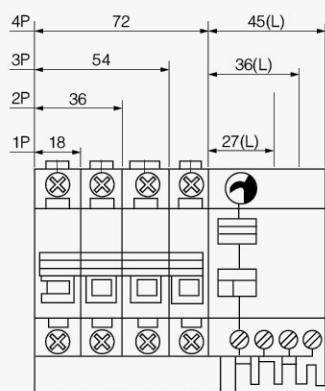
Rated Voltage (V)	Frame Class Rated Current Inm (A)	Number Of Pole	Neutral Wire	Rated Current(A)	Rated residual operating current I Δ n (mA)	Rated residual non-operating current I Δ n0 (mA)	Rated leakage operating time(S)
230	32	1	N	6, 10, 16	30	15	<0.1
230		2		20, 25	50	25	
400	100	3		32, 40	75	40	
400		3	N	50, 63	100	50	
400		4		80, 100	200	100	

Assembling

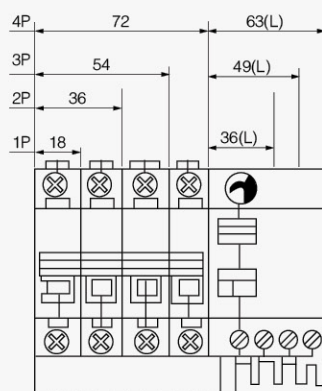


DZ47LE-32, 63, 100 Leakage Release

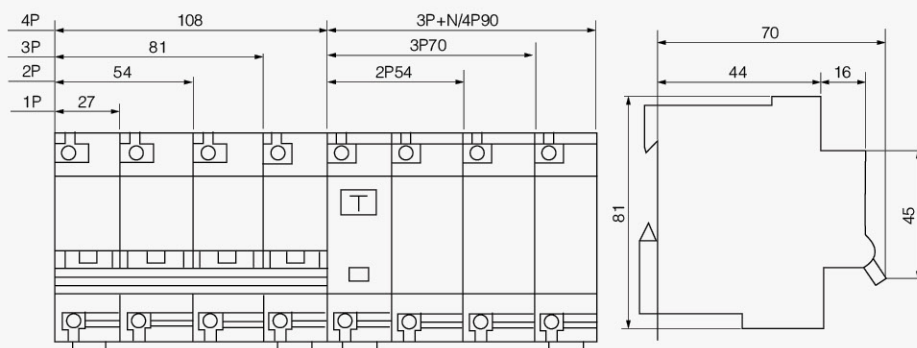
Overall And Mounting Dimensions (mm)



DZ47LE-32



DZ47LE-63



DZ47LE-100